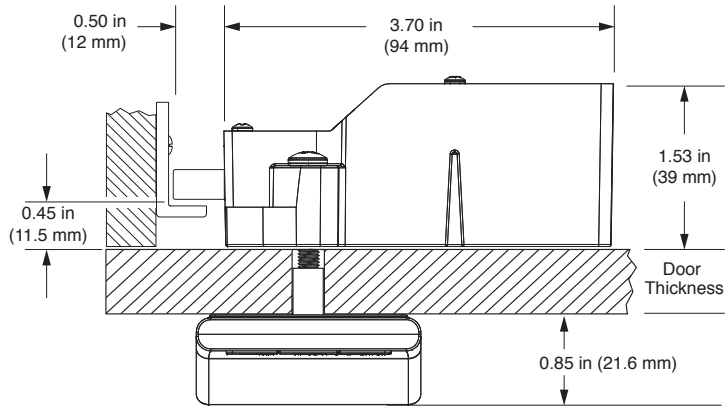


- Keypad operation
- All metal housing
- Slim 5/16" (8mm) profile
- IP55 rated for moisture and dust protection
- Standard body style
- With pull handle
- Brushed nickel finish
- Visual & audible indicators
- Manage with electronic keys & mobile device
- Programmable auto unlock
- Customizable settings
- Built-in audit trail
- 3-5 year battery life
- Powered by 4 premium AA batteries
- Up to 5 year warranty

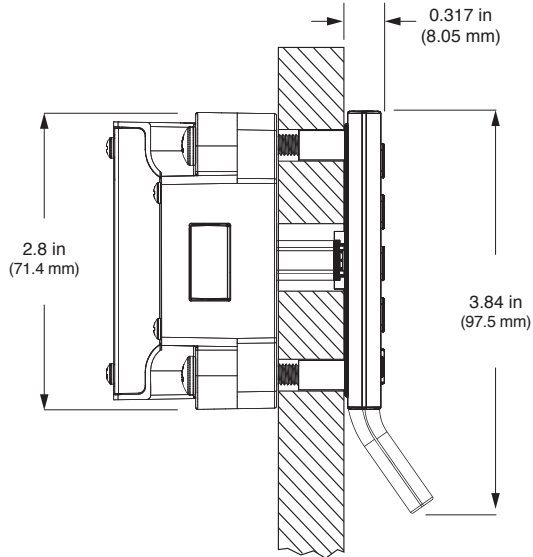


- Patented snap-lock cable connector
- Simple installation for new or retrofit applications
- Non-handed
- Adapts to multiple door thickness up to 0.91" (23mm)
- 1/2" (12mm) motorized deadbolt

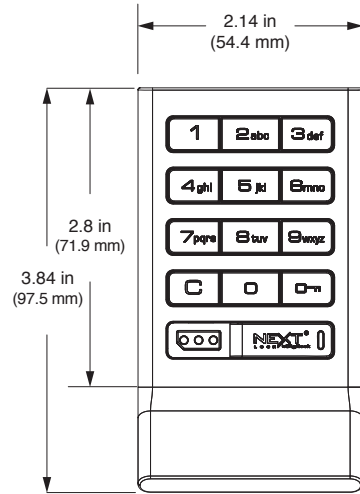
Top View



Side View



Front View



Standard Keypad locks with a pull handle and operated with a User Key are fully compliant with the Americans with Disabilities Act (ADA) guidelines set by the U.S. Access Board.

