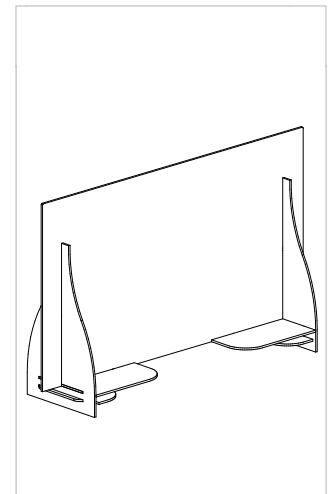
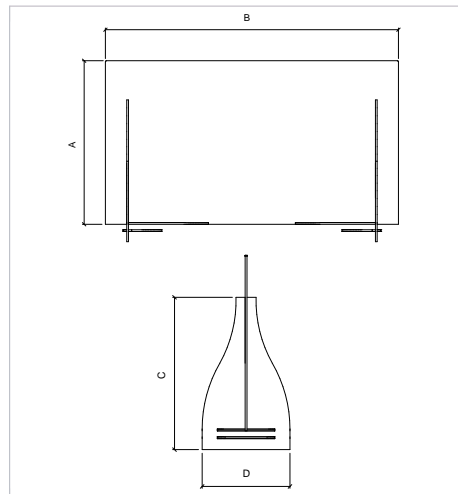




STANDARD SIZES

PART	MIN DIM.	MAX DIM.
A	24"	24"
B	24"	96"
C	21"	21"
D	12"	12"



SPECIFICATION

Table Top Safe Screen shall be Model **TTC1-242412C14E0-00**, 24" (610mm) High x 24" (610mm) Wide x 12" (305mm) Deep, made entirely of 1/4" (6mm) Trespa Toplab Base, double-sided, designed for easy mounting with adjustable feet (standard for 3/4" countertop thickness). Easy 'click' assembly with no tools required. Standard color shall be Trespa E0-00 white. Tested to SEFA 3 (horizontal surfaces) and SEFA 8 (vertical surfaces) for chemical resistance. 10-year conditional warranty. Manufactured by Spectrum Lockers. (spectrumlockers.com)

MATERIALS

Table Top Safe Screen, Single Clamp, 1/4" (6mm) thick Trespa Toplab Base, laboratory grade, high pressure compact laminate, fabricated with natural fibres and thermosetting resins, Greenguard Gold Certified. Trespa International B.V. is a member of SEFA (Scientific Equipment and Furniture Association) and VIP3000 (Association for Cleanrooms and Pharmaceutical Construction). Excellent resistance to most aggressive chemicals and cleaning agents. Weight: Approximately 11lb to 31lb, depending on size.

ASSEMBLY & OPERATION

Easy click assembly with no tools required. Designed for easy mounting with adjustable feet (standard for 3/4" countertop thickness).

OPTIONS

- Trespa TopLab Vertical - with Patented Electron Beam Cured (EBC) technology. Does not support bacterial growth.
- Non-Standard Color: _____
- Custom Dimensions: _____ Height x _____ Width x _____ Depth

VARIOUS SAFETY SCREENING PRODUCTS

View the complete collections: www.spectrumlockers.com